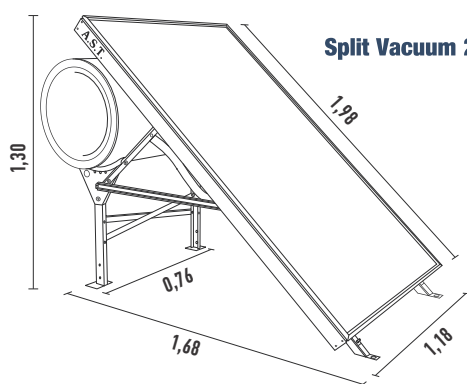
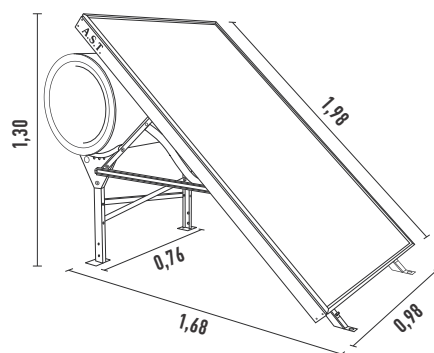


Tύπος	Split Vacuum 160	Split Vacuum 200
<b>Collector</b>		
Total collector area	1,96 m <sup>2</sup>	2,34 m <sup>2</sup>
Absorber Type	Full Plate	
Fluid Pressure	-1 bar	
Heat Transfer Fluid	Ethyl Alcohol	
Frost Resistance	-60 °C	
<b>Tank</b>		
Volume	152 lt	196 lt
Body Material	Steel DX51D Powder Coated / Stainless Steel AISI 316L EN 1.4404	
Electric back up	4 KW / 2 KW	
Hydraulic Connections	1/2" (inch)	
Max Pressure	10 bar	
Weight	90 kg	110 kg



**Split Vacuum 200**

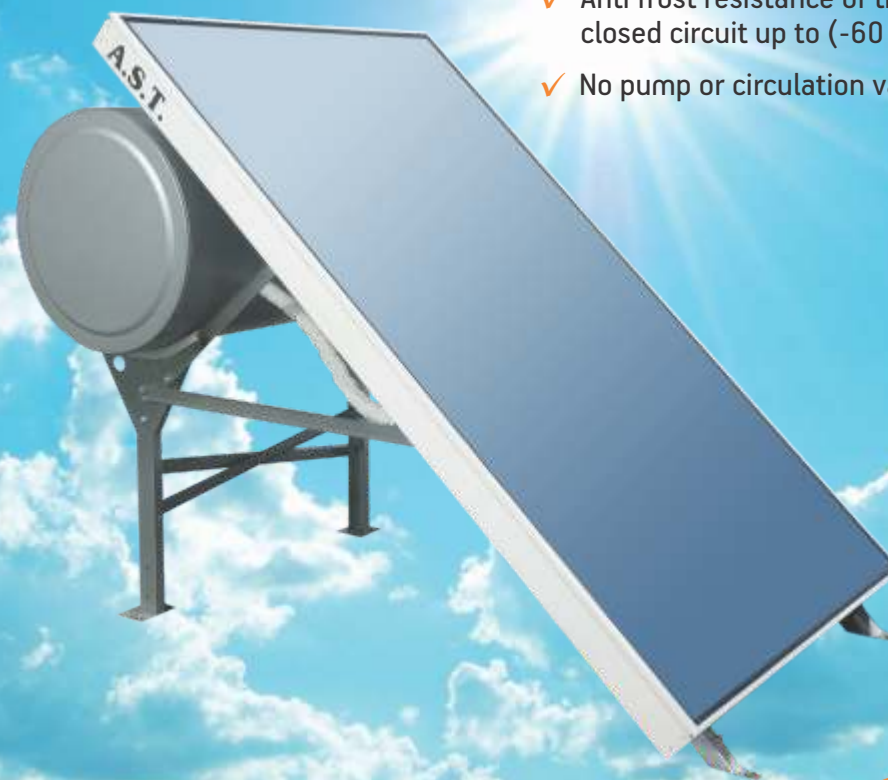


### Dimensions

**Split Vacuum 160**

Vacuum technology and new aesthetics in the solar water heater

- ✓ No antifreeze refill needed
- ✓ Anti frost resistance of the closed circuit up to (-60 oC)
- ✓ No pump or circulation valve



# NEW Split Vacuum

**A.S.T.**  
SOLAR INDUSTRIES

## Design

**Split-Vacuum** is a solar water heater designed according to eco-design. The tank is located in the back of the collector.

## Vacuum

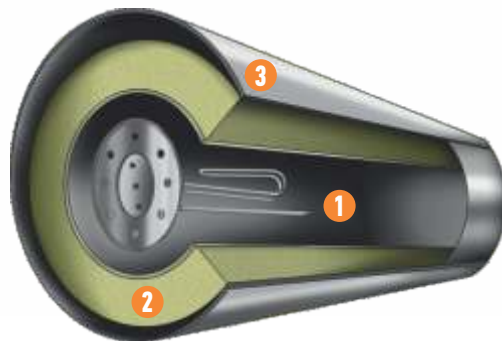
The **Split-Vacuum closed circuit** is in vacuum, achieving **high water heating speed** and **resistance to extreme freezing temperatures** (-60 OC for the collector).

## Mode

**Split-Vacuum** operates by **natural circulation** and **prevents reverse flow**. In the closed circuit of **Split-Vacuum** circulates ethyl alcohol, which heats the water during sunshine, and is isolated at night to prevent losses. No pump or circulation valve required.

## Tank

- 1 Tank wall made of steel powder coated or stainless steel
- 2 Ecological polyurethane insulation 45mm thick and weighing 43kg / m<sup>3</sup>
- 3 Outer shell



**A.S.T.**  
SOLAR INDUSTRIES

## AST INNOVATION

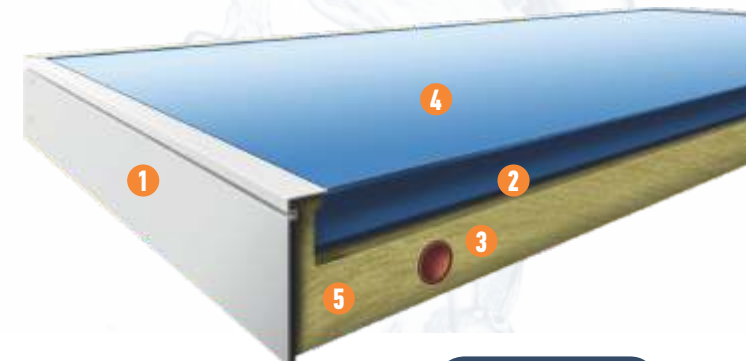
AST changes the way the water heaters operate **by placing the Heat Exchanger of the Split – Vacuum in the Flat Plate Collector.**

Based on our specialty in vacuum systems, we have developed a **Flat Plate Collector** that **incorporates the Heat Exchanger of the solar water heater**. This technology **allows the collector to be prefilled with the thermal fluid at the factory in vacuum condition ensuring superior performance without the use of circulation valves or pumps**. This means that the collector **comes ready for use, simplifying the installation process and reducing maintenance requirements**.

**Split - Vacuum** never needs refill or replacement of the antifreeze liquid.

## Collector

- 1 Aluminum Profile
- 2 Selective Surface
- 3 Copper Heat Exchanger
- 4 Security glass
- 5 Insulation



[www.a-s-t.gr](http://www.a-s-t.gr)